

TOB2004

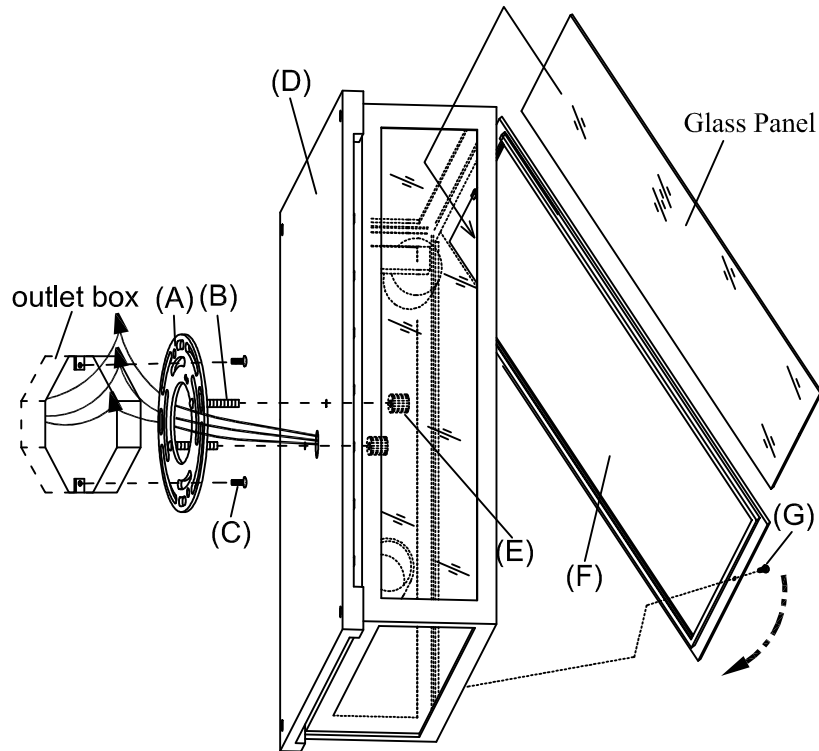
ASSEMBLY & INSTALLATION GUIDE

WE RECOMMEND INSTALLATION OF THIS LIGHTING FIXTURE BE DONE BY A LICENSED ELECTRICIAN.

WARNING * SWITCH OFF THE MAIN ELECTRICAL SUPPLY FROM THE MAIN FUSE BOX/CIRCUIT BREAKER BEFORE INSTALLATION.**

INSPECT ITEM CAREFULLY BEFORE ATTEMPTING TO INSTALL. IF THERE IS ANY DAMAGE OR OBVIOUS DEFECT, DO NOT INSTALL.

ITEM MAY NOT BE RETURNED ONCE IT HAS BEEN INSTALLED.



1. Open side frame (F) of lantern box (D) by removing screw (G).
2. Remove protective paper card inside of lantern box, insert glass panel into side frame (F)
3. as shown in illustration.
4. To detach mounting plate (A) and the rod (B) from lantern box (D) by unscrewing the decorative screws (E) in counter-clockwise direction.
5. Position the mounting plate (A) diagonally so that the holes of mounting plate (A) and ceiling outlet box are aligned. Tighten the mounting plate onto the ceiling outlet by screws (C) provided.
6. Attach ground (chrome) fixture wire to ground wire from ceiling outlet box (usually green or copper in color), and fasten together with a plastic wire connector. Tightly wrap the wire connector with electrical tape so the end of the connector is sealed.

IT IS IMPERATIVE THAT THE OUTLET BOX IN YOUR HOME BE PROPERLY GROUNDED.

7. Connect neutral (white) fixture wire to neutral (usually white) wire from wall outlet box. Fasten both wires together with a plastic wire connector and tightly wrap the wire connector with electrical tape.
8. Repeat the procedure with the hot (black) wires. Always make sure that no wire strands are left outside the connectors.

DO NOT REVERSE THE HOT AND NEUTRAL CONNECTIONS OR SAFETY WILL BE COMPROMISED.

9. Gently push lantern box (D) onto the outlet box, letting rods (B) pass through the holes on the back plate of lantern box (D), and secure with decorative screws (E).
10. Insert light bulbs into sockets. II. Close bottom frame (F) and secure with screw (G).