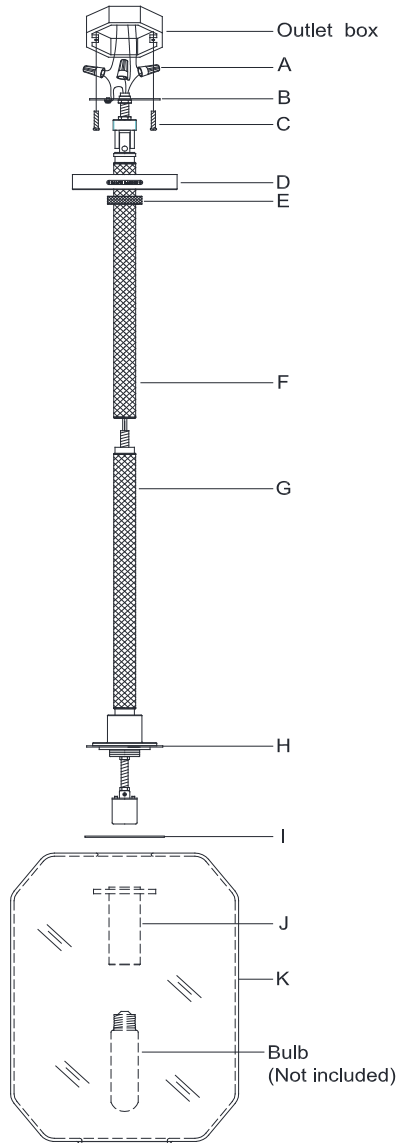


## ASSEMBLY INSTRUCTIONS



## Barrett Medium Knurled Pendant

Item # RL 5220

### NOTICE:

This light fixture should be installed in accordance with all applicable, local installation codes, and by a person familiar with the construction and operation of it, as well as the hazards involved. Inspect item and contents carefully. If any damage or defect is found, do not install. Retain all packaging material until installation is complete and approved.

1. Carefully remove all parts from the box.
2. Thread the tube (F) to the tube (G).
3. Install the mounting plate (B) to the outlet box by mounting screws (C) provided.
4. Measure the wires and cut. Be certain to leave enough to connect inside of the canopy.
5. Connect the fixture ground (bare) wire with the ground wire from the outlet box using wire nut (A). If your house does not have ground wire, then attach this wire to the green grounding screw inside of the outlet box.  
**IT IS IMPERATIVE THAT THIS FIXTURE BE GROUNDED.**
6. Connect the fixture Neutral wire (ribbed, no markings) with the neutral wire from the outlet box using wire nut (A).
7. Connect the fixture Hot (smooth edge, markings) wire with the hot wire from the outlet box using wire nut (A).  
**DO NOT REVERSE THE HOT AND NEUTRAL CONNECTIONS OR SAFETY WILL BE COMPROMISED.**
8. Tuck these wire connections neatly into the outlet box to secure.
9. Put canopy (D) to the mounting plate (B) and secure with lock collar (E).
10. Attach the rubber washer (I) and glass shade (K) to the metal plate (H) and secure with socket cup (J).
11. Insert bulb (not included) into the socket.
12. Installation is complete, turn on power at fuse or circuit breaker.

Care Instructions: Clean only with a soft dry cloth or feather duster. Do not use abrasive or chemical agents.

# RALPH LAUREN

