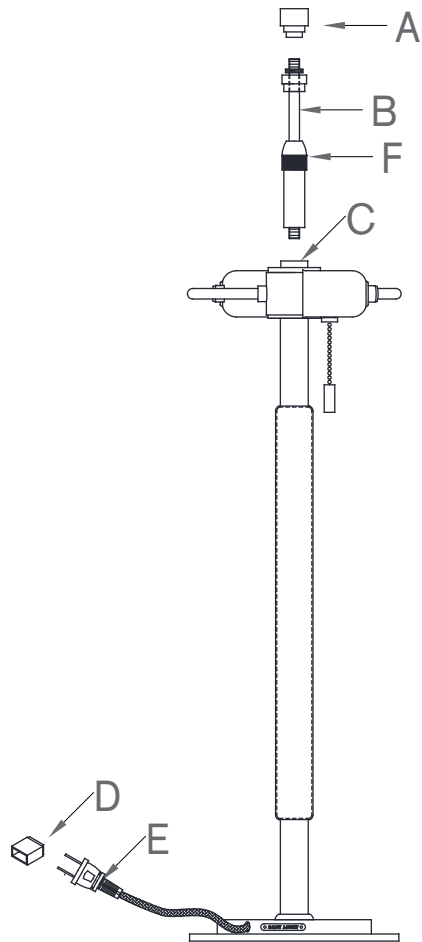


ASSEMBLY INSTRUCTIONS



Garner Table Lamp

Item # RL 3491

NOTICE:

This light fixture should be installed in accordance with all applicable, local installation codes, and by a person familiar with the construction and operation of it, as well as the hazards involved. Inspect item and contents carefully. If any damage or defect is found, do not install. Retain all packaging material until installation is complete and approved.

1. Carefully remove all parts from the carton.
2. Thread the nipple of rod (B) into the opening of part (C) by turning in clockwise direction until tight.
3. Remove finial (A) from top of rod (B), attach shade (not included) onto the threaded portion and secure with finial (A).
4. Insert the specified light bulbs into sockets.
5. Remove plastic cover (E) from electrical plug (D)
6. Plug lamp into wall outlet.

TO ADJUST:

1. Loosen the break (F) by turning counter-clockwise direction.
2. Adjust rod (B) up or down to desired height.
3. Tighten the break (F) by turning clockwise direction.

Care Instructions: Clean only with a soft dry cloth or feather duster. Do not use abrasive or chemical agents.

RALPH LAUREN

