

ASSEMBLY INSTRUCTIONS

Rosehill Semi-Flush Pendant

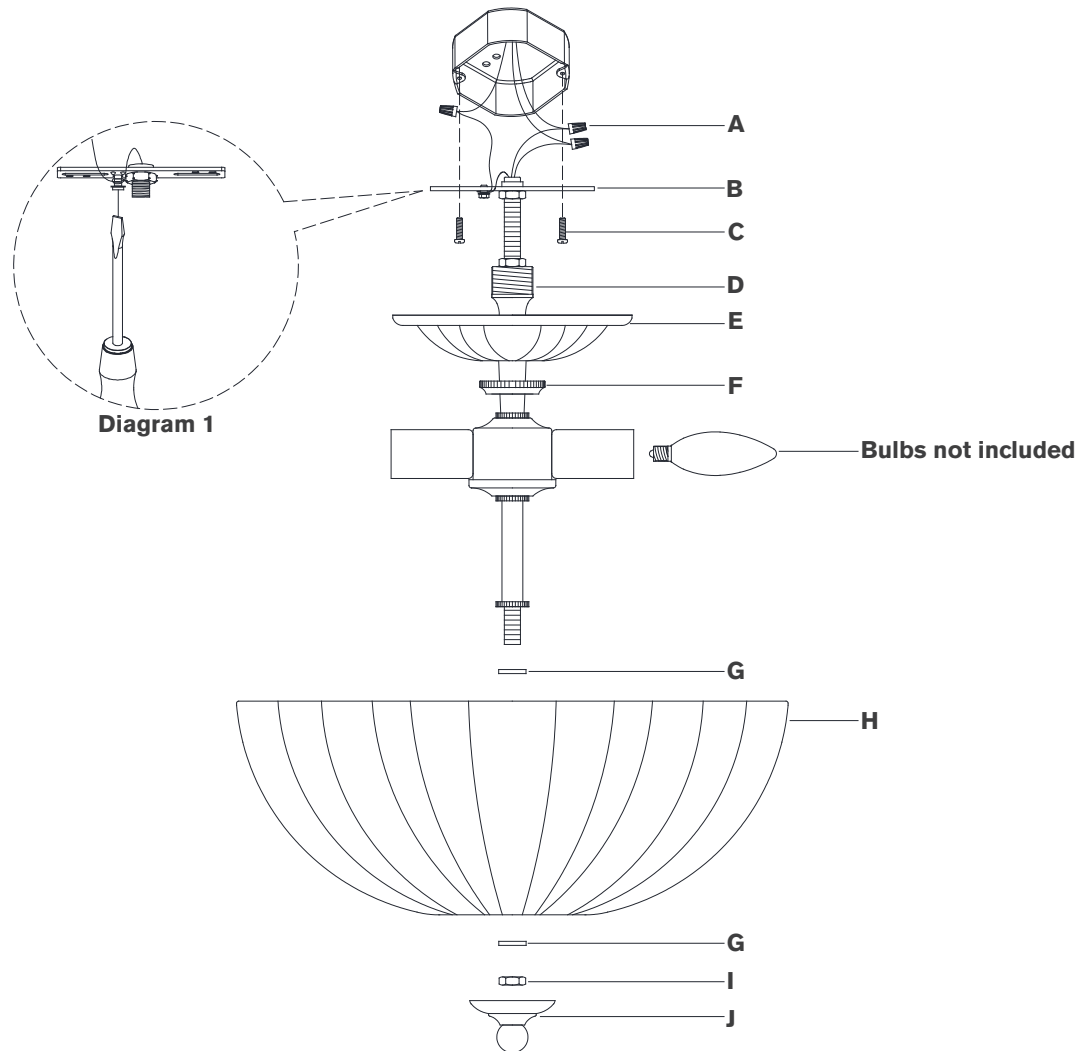
Item # ARN 4000

NOTICE:

This light fixture should be installed in accordance with all applicable, local installation codes, and by a person familiar with the construction and operation of it, as well as the hazards involved. Inspect item and contents carefully. If any damage or defect is found, do not install. Retain all packaging material until installation is complete and approved.

TOOLS REQUIRED (NOT INCLUDED):

Phillips Screwdriver Slotted Screwdriver



1. Carefully remove all parts from the box. Place on a clean, soft surface.
2. Loosen collar ring **(F)** and let canopy **(E)** slip down carefully.
3. Remove mounting plate **(B)** from fixture.
4. Install mounting plate **(B)** to the junction box and secure with mounting screws **(C)**.
5. Secure collar loop **(D)** to mounting plate **(B)** using pliers to tighten locknut.
6. Wrap fixture ground wire (bare copper) around the green grounding screw (see diagram 1). Tighten. Continue fixture ground wire and connect to supply ground wire (usually green or bare copper) using wire nut **(A)**.

NOTE: It is imperative that the fixture is grounded.

7. Connect fixture neutral wire (ribbed) to the supply neutral wire (usually white) using wire nut **(A)**.
8. Connect the fixture hot wire (smooth with markings) to the supply hot wire (usually black) using the wire nut **(A)**.

CAUTION: Do not reverse the hot and neutral connections.

9. Make sure all wire connections are tight, then carefully tuck into the junction box.

ASSEMBLY INSTRUCTIONS

Rosehill Semi-Flush Pendant

Item # ARN 4000

NOTICE:

This light fixture should be installed in accordance with all applicable, local installation codes, and by a person familiar with the construction and operation of it, as well as the hazards involved. Inspect item and contents carefully. If any damage or defect is found, do not install. Retain all packaging material until installation is complete and approved.

10. Install canopy (E) to collar loop (D) and secure with collar ring (F).
11. Install light bulbs into the socket.
12. Attach rubber washers (G) to either side of glass shade (H) and secure to fixture using locknut (I) and finial (J).

Care Instructions: Clean only with a soft dry cloth or feather duster. Do not use abrasive or chemical agents.

