

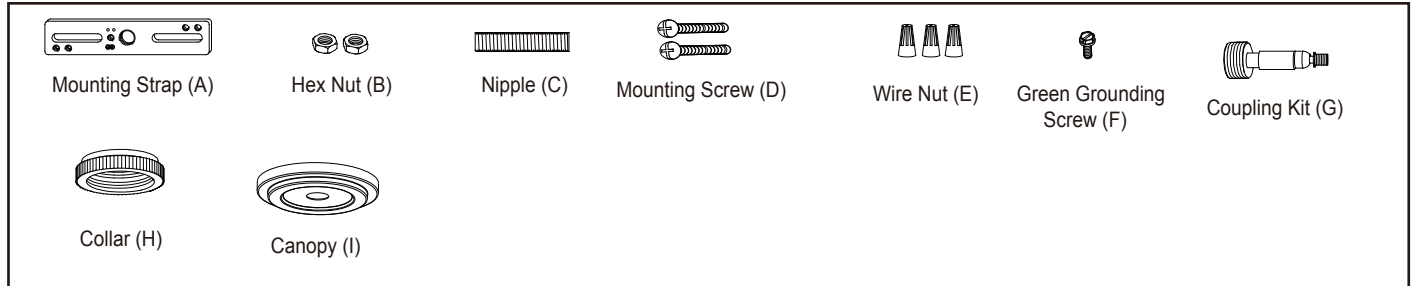
ASSEMBLY AND INSTALLATION INSTRUCTIONS

P0221 / P0225

WARNING: TO AVOID RISK OF ELECTRICAL SHOCK, BE SURE TO SHUT OFF POWER BEFORE INSTALLING OR SERVICING THIS FIXTURE.

NOTES: 1. Before installing, consult local electrical codes for wiring and grounding requirements.
2. READ AND SAVE THESE INSTRUCTIONS.

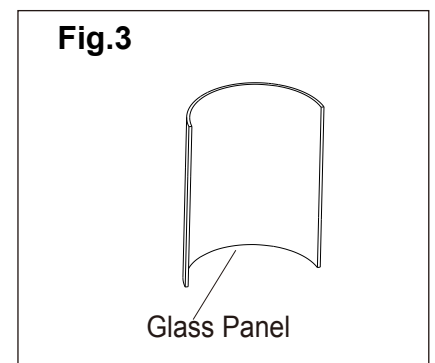
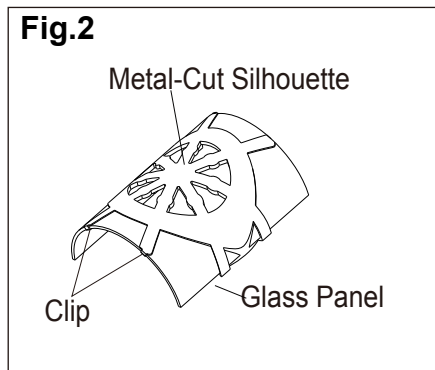
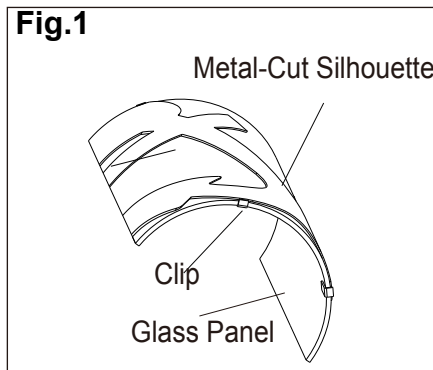
Hardware Package (included):



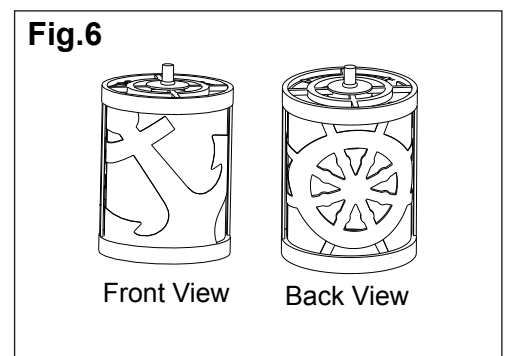
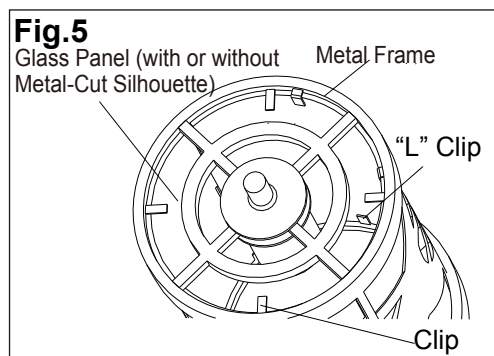
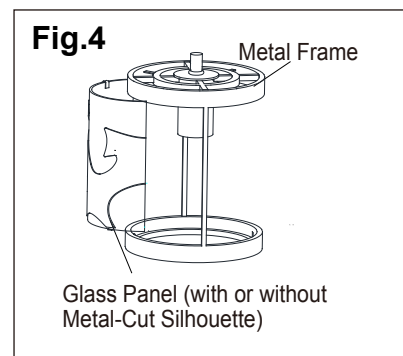
Preparation For Installation

Important: You may choose the glass panel (with or without metal-cut silhouette, see Fig.1 & Fig. 2 & Fig. 3) for installation as you desire.

Metal-Cut Silhouette Assembly: Secure the clips of metal-cut silhouette onto the glass panel tightly. Adjust the surface radian of metal-cut silhouette to match the surface of glass.(Fig.1 & Fig.2))



Glass Panel Assembly (with or without Metal-Cut Silhouette):



1. Gently slide the glass panel (with or without metal-cut silhouette) into the metal frame as shown on Fig. 3
2. Having one side of glass panel located into the slot of "L" clips first, and then secure another side by folding the clips on it (see Fig. 4)
3. See the finished look of glass panels with complete metal-cut silhouettes as shown on Fig. 5.

Installation Steps

Turn off the power at fuse or circuit box

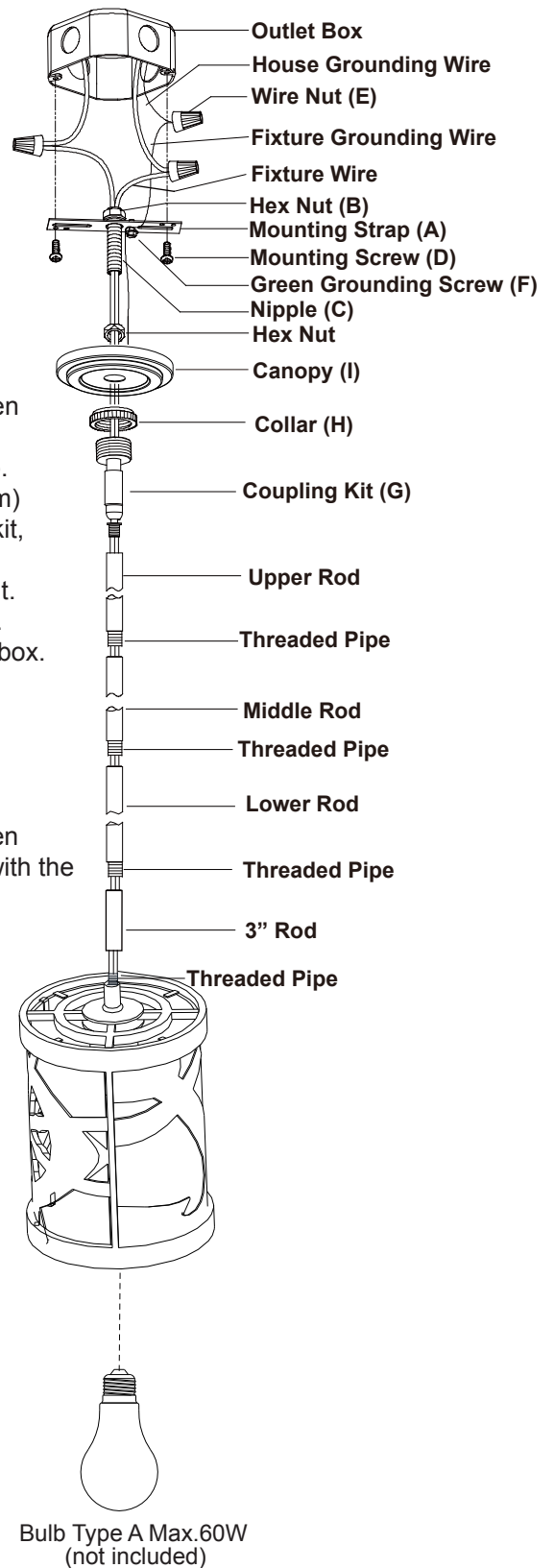
1. Rod Connections:

- Thread the fixture wire from the fixture through the 3" rod and lower rod, and then assemble the two rods together, then secure the assembly rod onto fixture using the threaded pipe.
- Thread the fixture wire through the middle rod, and then secure the middle rod onto the lower rod using the threaded pipe.
- Thread the fixture wire through the upper rod, and then secure the upper rod onto the middle rod using the threaded pipe.

Adjustable heights from 12-1/4" to 57-1/4" (including fixture).

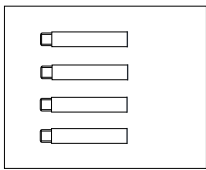
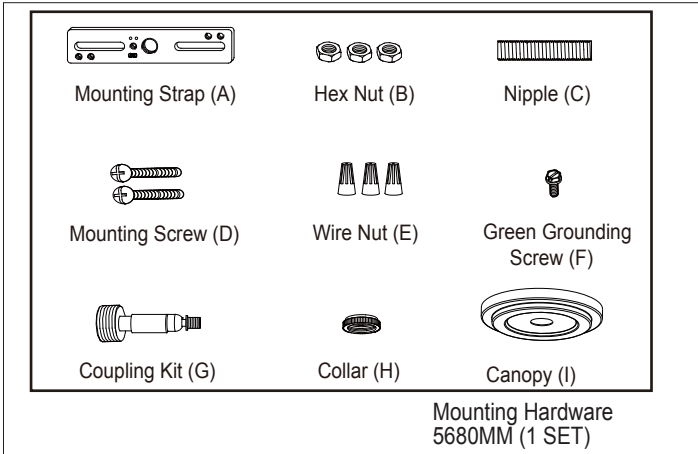
- Thread the fixture wire through the coupling kit, collar, canopy, and then secure the rod assembly onto the coupling kit.
- Thread the fixture wire through the nipple, hex nut and mounting strap. Install the hex nut onto one end of the nipple leaving about 3/8" (10mm) thread exposed. Install same end of nipple by screwing into coupling kit, and secure nipple by tightening hex nut.
- Attach the nipple to the mounting strap, and then secure it with hex nut.
- Attach the mounting strap to outlet box by using two mounting screws.
- Pull out the outlet wires and the house grounding wire from the outlet box.
Make wire connections using the wire nuts:
 - Connect the smooth-coated wire (marked) from the fixture to the black wire from the power source.
 - Connect the ribbed-coated wire (unmarked) from the fixture to the white wire from the power source.
 - Attach the fixture grounding wire to the mounting strap with the green grounding screw, and then connect it to the house grounding wire with the wire nut.Carefully put the wires back into the outlet box.
- Attach the canopy to the mounting strap, and secure it with collar.
- Install bulb (not included). See relamping label at socket area or packaging for maximum allowed wattage.

Turn on the power at fuse or circuit box

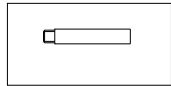


The following parts are available for re-order if damaged or missing.

Spare Parts List:



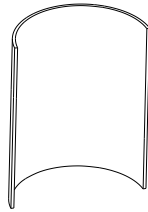
12" L Rods
w/threaded pipe
3082RD



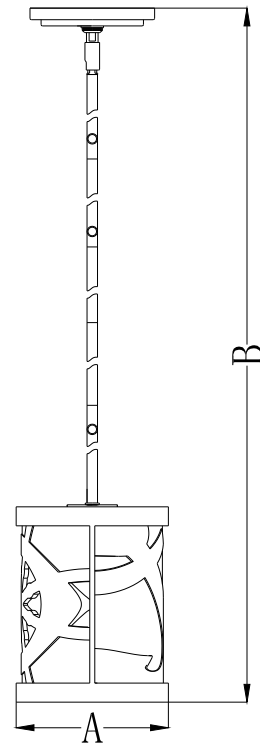
6" L Rod
w/threaded pipe
3083RD



3" L Rod
w/threaded pipe
3084RD



Glass Panel
X4
9873FE



A: 6-1/4"

B: 12-1/4"~57-1/4"